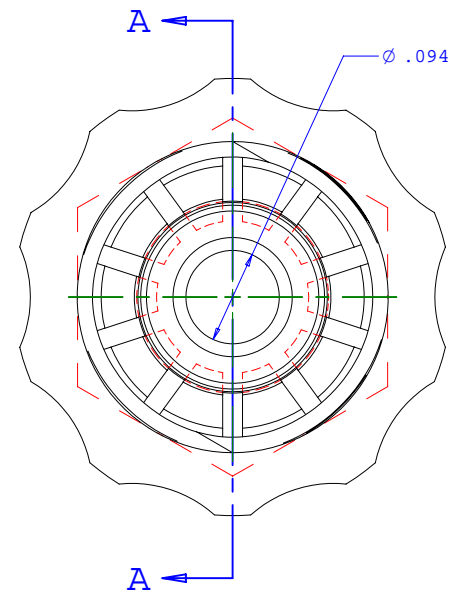
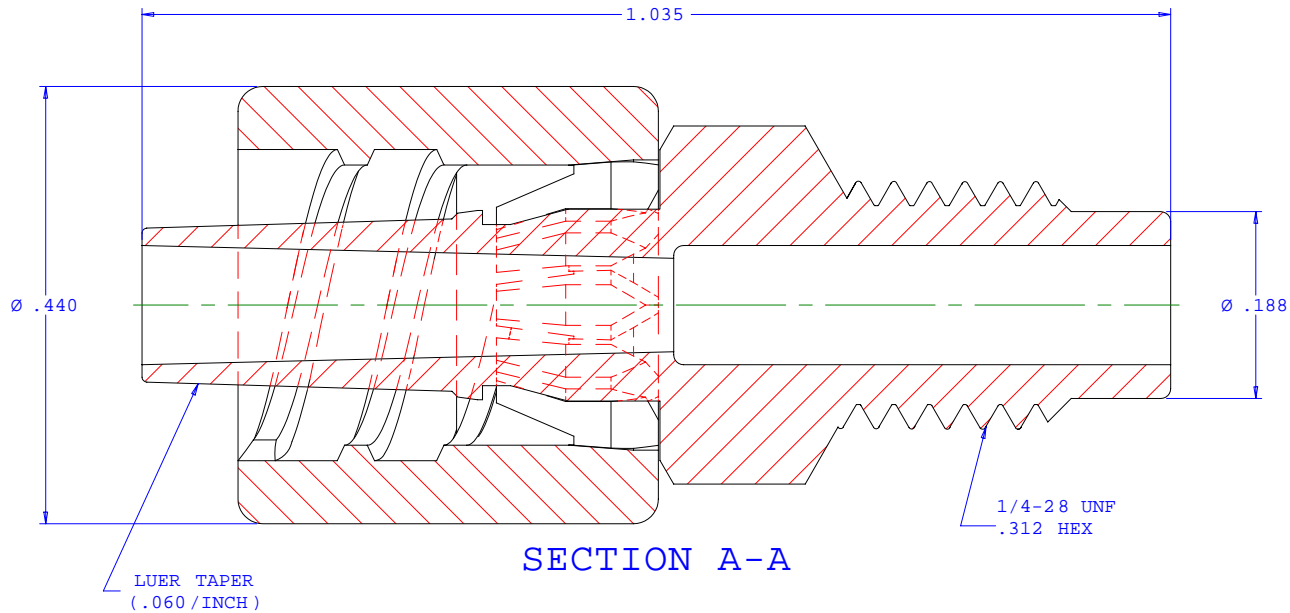


REVISIONS			
REV.	DESCRIPTION	DATE	APPROVED



Item Number	Part number	Description	Quantity
1*	BSMLRL	1/4-28 UNF BOTTOM SEALING MALE LUER	1
2*	FSLLR	FINGER SNAP LOCK RING	1

UNLESS OTHERWISE SPECIFIED DIMENSIONS ARE IN INCHES TOLERANCES ARE :		<b>VALUE PLASTICS, INC.</b>	
FRACTIONS ±	DECIMALS .XX ±.01 .XXX ±.005	ANGULAR ±1°	PART NUMBER: ABSML
DO NOT SCALE DRAWING		DESCRIPTION: MALE LUER WITH ROTATING LOCK RING AND 5/16 HEX TO 1/4-28 UNF BOTTOM SEALING THREAD	
DRAWN BY: SUE CORAM	SCALE: NTS	DRAWING NUMBER:	REV.
DATE: 06-12-01	© 1999 VALUE PLASTICS, INC.		SHEET:

**FOR REFERENCE ONLY**